



# TWINJET

**AERIAL TARGET**

# DRONE



**TWINJET** - is an autonomous, jet powered, safe and cost effective aerial training system for artillery and rocket kits.

**TWINJET** - fast target drone, used against radar, IR or electro-optical guided weapon systems.

**COST EFFECTIVE FAST TARGET DRONE** **FIELD-PROVEN WITH DIFFERENT WEAPON SYSTEMS**

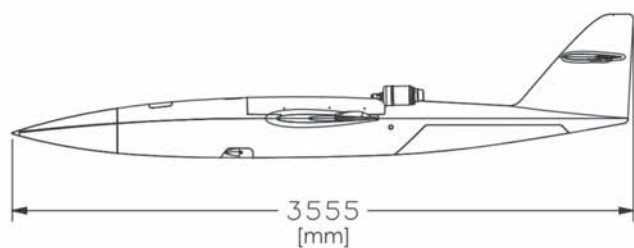
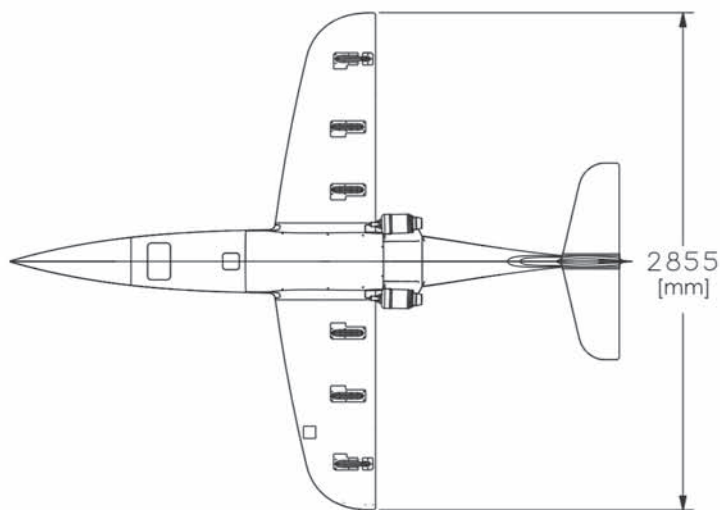
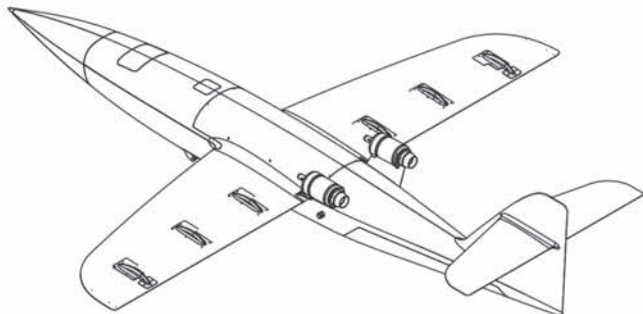
**AERIAL TARGET DRONE**

**email: [info@uav.com.pl](mailto:info@uav.com.pl) [www.uav.com.pl](http://www.uav.com.pl)**

# TWINJET

## AERIAL TARGET DRONE

### DIMENSIONS



### TECHNICAL SPECIFICATION

#### Weight & Powerplant:

- Maximum Takeoff weight: 2998 oz (85 kg),
- Powerplant: 2 JET Engines,

#### Flight Characteristics:

- Maximum Speed: 335 mph (150 m/s),
- Operational Altitude AGL: 328 - 16,404 ft (100 - 5000 m),
- Duration Time: up to 60 minutes\*,

- Launch Type: Catapult,
- Landing: Parachute, Autonomous "belly" landing.

\*mission dependent

# MSP<sup>®</sup>



*jet powered aerial target drone*



*two foolproof jet engines*



*wing equipped with high-lift devices*

## MSP<sup>®</sup>

Poligonowa 1/81  
04-051 Warsaw, Poland

**Tel:** +48 22 862 87 22  
**Fax:** +48 22 632 29 20  
**email:** [info@uav.com.pl](mailto:info@uav.com.pl)  
**www:** [www.uav.com.pl](http://www.uav.com.pl)

YOUR LOCAL CONTACT