

UNMANNED MULTIROTOR SYSTEM

MSP[®] 

MULTIROTOR READY FOR
SCANNING APPLICATIONS
(LIDAR)



G E O H A W K M O T H

HEAVY LIFT MULTIROTOR

email: info@uav.com.pl

www.uav.com.pl

GEOHAWKMOTH HEAVY LIFT MULTIROTOR



geoHAWKMOTH + YellowScan Surveyor

Flight altitude AGL	[m]	50
Flight speed	[m/s]	5
Scanner FOV	[°]	70
Side strip overlap	[%]	60
Flight Time	[min]	15
Route distance	[km]	4.5
Mapping area	[km ²]	0.1
Final point cloud density	[points/sq m]	>350

Specifications

- multirotor empty weight: 8.5 kg
- MTOW: 14 kg
- max. payload: 4 kg
- mission cruise speed: 5 m/s
- maximum wind condition: 10 m/s

Features

- automatic take-off and landing
- waypoint navigation
- heading lock
- parachute rescue system
- automatic handling of emergency situation

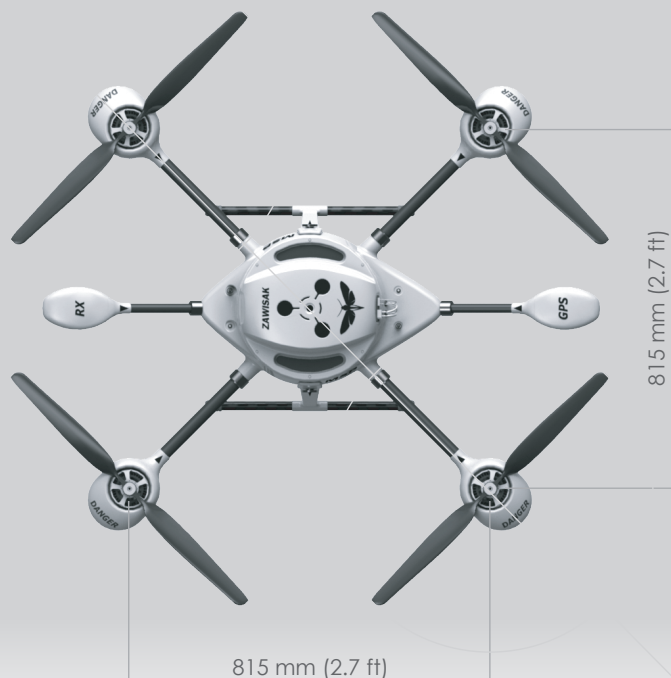
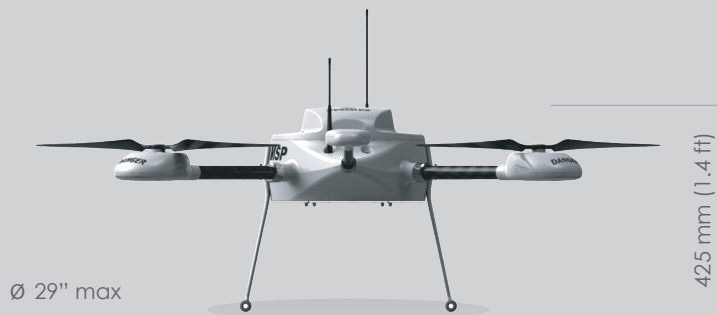
Payload options

- photogrammetry and mapping head
- laser scanner (LIDAR)
- user customized sensor platform

Transportation

- 1 case 950×700×600 mm³

Dimensions



MSP[®]

Poligonowa 1/81
04-051 Warsaw, Poland

Tel: +48 22 862 87 22
Fax: +48 22 6322920
email: info@uav.com.pl
www.uav.com.pl

CONTACT